

G2200 Cabinet Lock With Indicator

Features

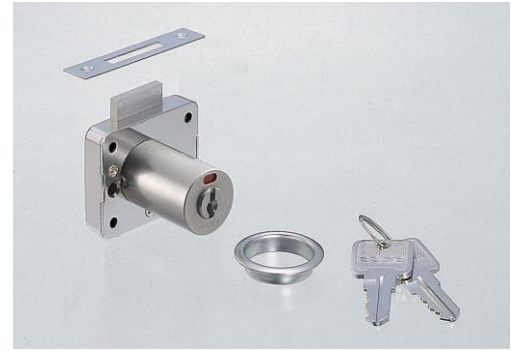
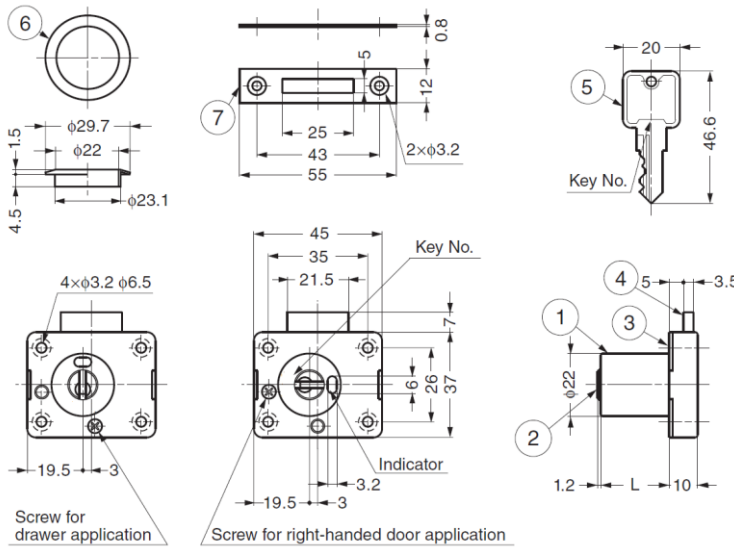
- For drawer and cabinet door application
- With indicator: Unlocked - Blue, Locked - Red
- 12 key changes available (max. 300 key changes as special order)
- Master key system (170 key changes) available on request (1 master key only)
- Keys can be shared with other **2200 Lock Series**

Parts Included

- Countersunk head wood screw 3.1×20, 2.1×10 (SUS)

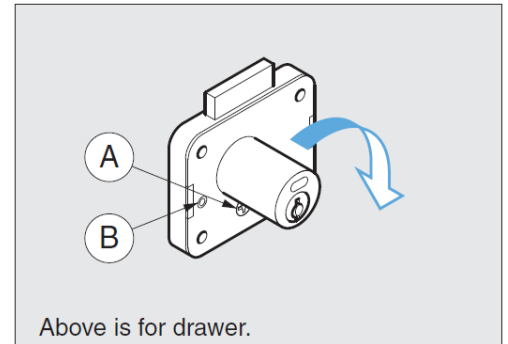
Optional Parts

- Spacer **GTSSP**

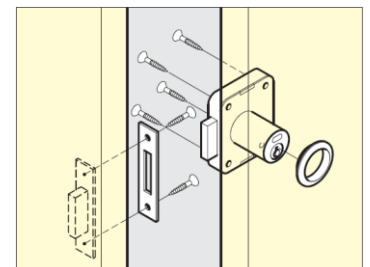
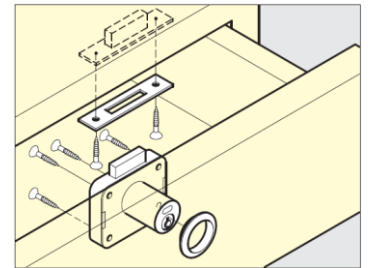


How to Switch:

For Drawer / Right Handed Door Application



- ① Remove screw (A)
- ② Turn the lock cylinder 90° (clockwise for door application)
- ③ Fix the screw in (B)
- ④ Indicator is to be forwarded upside



No.	Part Name	Material	Finish
①	Cylinder (Outer)	Zinc Alloy (ZDC)	Satin Nickel
②	Cylinder (Inner)	Zinc Alloy (ZDC)	Satin Nickel
③	Body	Brass	Nickel
④	Dead Bolt	Brass	Nickel
⑤	Key	Brass	Nickel
⑥	Ring	Brass	Satin Nickel
⑦	Strike	Stainless Steel (SUS304)	Plain

Part No.	Key Type	Cylinder Diameter	Door Thickness	L
G2200-24-B	Keyed Differently	Ø 22	24	24
G2200-24-D	Keyed Alike			
G2200-30-B	Keyed Differently		30	30
G2200-30-D	Keyed Alike			